

**Segment A**

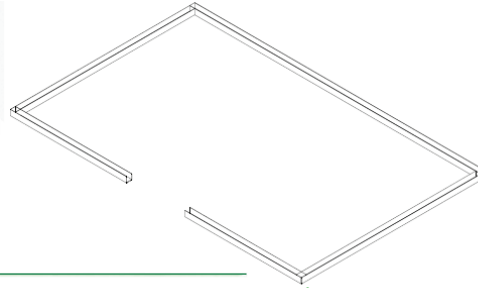
**Segment B**

## FIRST STEP: Base Installation

Prepare 4' B by cutting the 8' in to equal part. Installation is according to below figure and figure B:

The parts for base installation is consist of twelve(12) pieces of 8' segment B and eight (8) pieces 4' segment B.

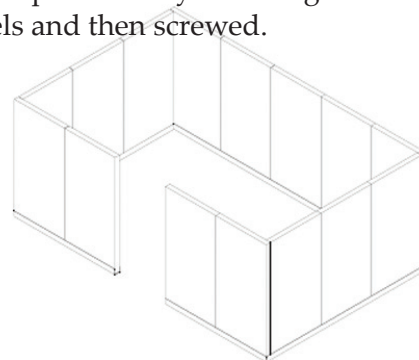
\*\*\* Distance between the screws varies Base on the type of screws and the base ground stiffness, which should be specified on the site.



## FOURTH STEP: Roof connection part

Prepare 4' segment B by cutting the 8' in to equal part.

A total of twelve(12) pieces of 8' segment A and eight (8) pieces of 4' segment A are required for the roof connection to be completed. They are first glued to the panels and then screwed.

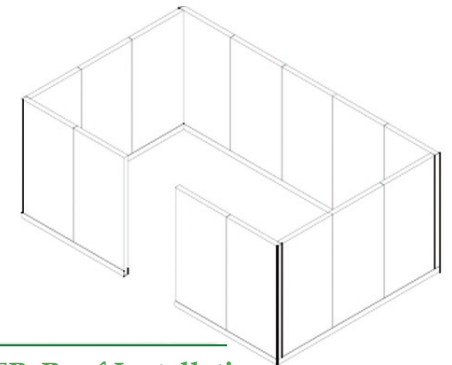


## SECOND STEP: Wall Installation

In this step, fifteen (15) panels are required for the walls.

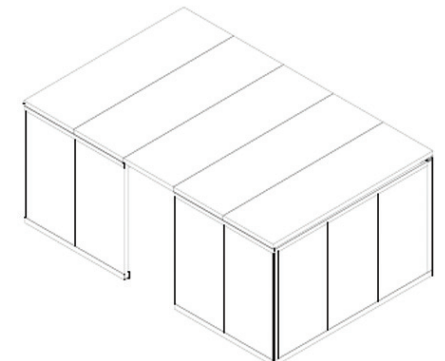
- Rear wall: Five panels (4'×8')
- Front wall: Four panels (4'×8')
- Sidewall: Three panels for each side (4'×8')

Glue each panel to the base and then glue to next panel, then screw them together.



## FIFTH STEP: Roof Installation

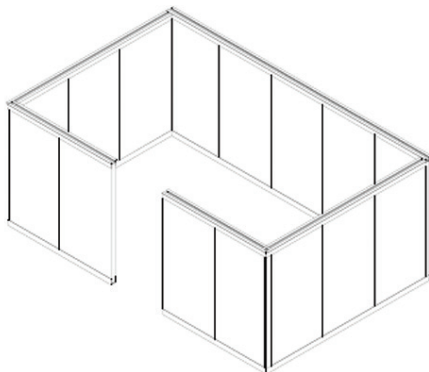
The five(5) panels (4'×12.83') are required for roof should glue to roof connection from 4' sides, then secured by glued & screwing together.



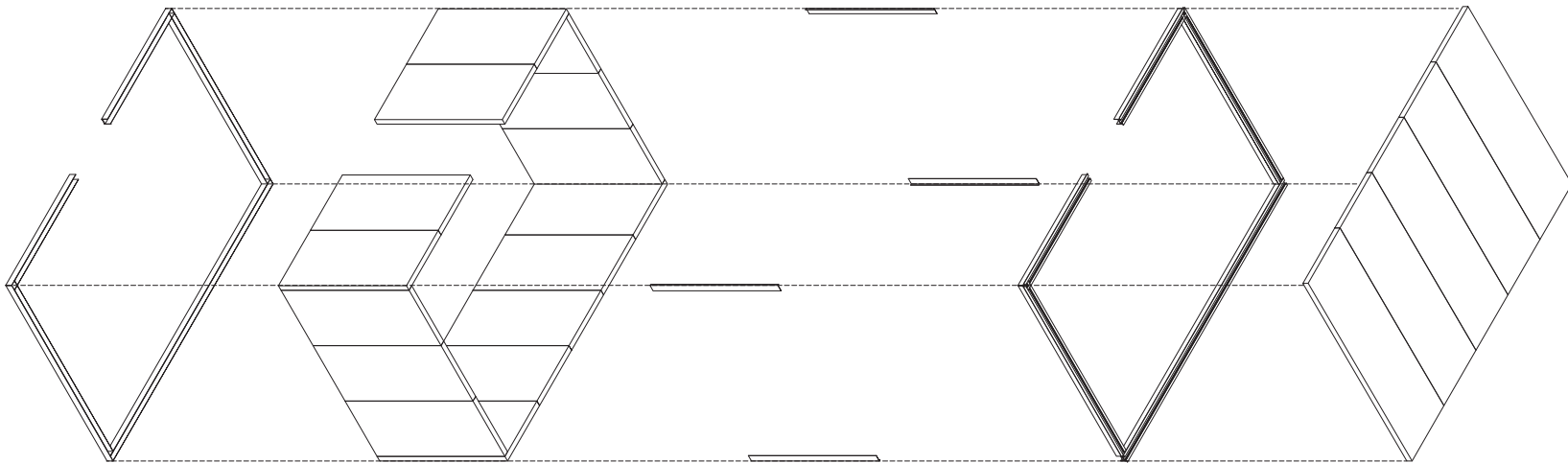
## THIRD STEP: Cornes

Four (4) pieces of segment B are required for the corners.

Segment B should be glued to each corner of the panels and then screwed to the panels.



\*\*\*For the door section, a panel is sent that is cut to fit the size of the door and placed at the top.



**I-C-P**  
Innovative Composite Products

